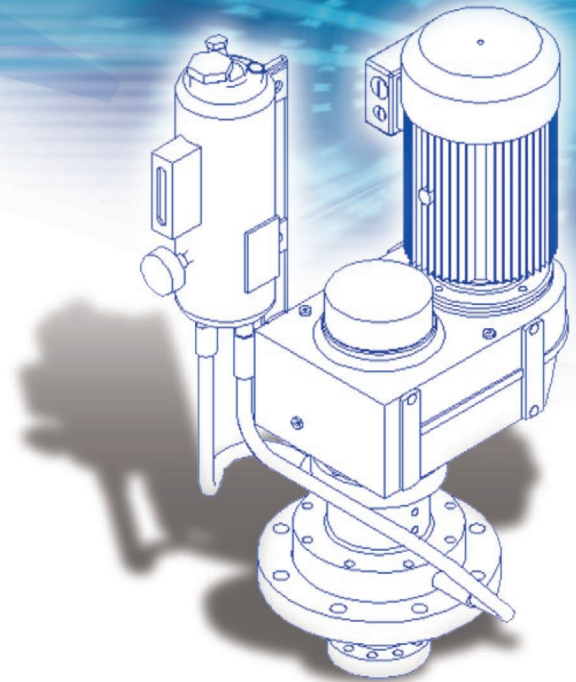


## SIGNAL S600 VT SERIES MIXERS

by Milton Roy

### TYPE VTH

- Closed tanks from 3 to 100 m<sup>3</sup>
- Sealing systems
- Pressure up to 7 bar
- Temperature up to 150°C



#### General characteristics

- Parallel shaft reducer
- Specific radial bearing
- ISO Flange for connection to the tank
- Adjustable position of impellers on lower shaft
- Rated power from 0,5 to 7,5 Kw

#### Capacities

- From 3 to 100 m<sup>3</sup> approximately

#### Operating conditions

- Pressure up to 7 bar
- Temperature up to 150°C

#### Main applications

- Fine chemicals
- Formulation of end products
- Homogenization
- Dissolution
- Holding in suspension
- Storage

#### Construction materials

- Stainless steel 316L,
- Painting PU : RAL 1018 on the drive system  
(other materials, please consult us)

#### Seal devices

- VTH : Double mechanical seal with lubricating SS vessel and cooling coil

#### Electric characteristics

- 230/400 V three-phase
- 50 Hz
- IP 55  
(other voltage and frequency, please consult us)

#### Options (depending on mixer type)

- Special Motors
- Drive ADF, ATEX
- Variable speed drive
- Second impeller

#### A robust construction

- Allowing a reduced maintenance
- Rotation during filling and draining allowed

#### Operational limits

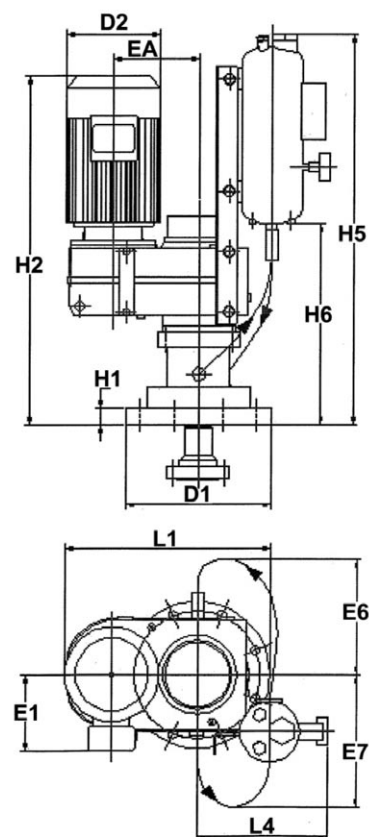
- Not recommended for gas dispersion

## SIGNAL S600 VT SERIES MIXERS by Milton Roy

Closed tanks from 3 to 100 m<sup>3</sup> – Sealing system – Pressure up to 7 bar – Temperature up to 150°C

### VTH SPECIFICATIONS (MM), (KG)

Type	PN10	H2	H1	L1	E1	D2	Ea	E6	E7	Weight
2061	150	600	30	334	127	158	122	290	300	96
2062	150	643	30	353	150	176	122	290	300	97
2063	150	573	30	334	130	138	122	290	300	96
2081	150	643	30	353	150	176	122	290	300	108
2082	150	600	30	344	127	158	122	290	300	109
2083	150	643	30	353	150	176	122	290	300	108
2084	150	600	30	344	127	158	122	290	300	109
3101	150	664	40	428	150	176	178	290	330	172
3102	150	709	40	428	160	194	178	290	330	173
3103	150	709	40	428	160	194	178	290	330	177
3104	150	664	40	428	150	176	178	290	330	176
3121	150	709	40	428	160	194	178	290	330	198
3122	150	664	40	428	150	176	178	290	330	200
3123	150	709	40	428	160	194	178	290	330	199
3124	150	709	40	428	160	194	178	290	330	197
4141	200	755	40	524	160	176	220	320	350	296
4142	200	712	40	524	150	194	220	320	350	296
4143	200	755	40	524	160	218	220	320	350	293
4144	200	803	40	524	167	194	220	320	350	296
4161	200	755	40	524	160	194	220	320	350	332
4162	200	755	40	524	160	258	220	320	350	327
4163	200	894	40	524	181	218	220	320	350	329
4164	200	803	40	524	167	218	220	320	350	352
5201	250	846	40	622	167	258	264	330	370	520
5202	250	936	40	622	181	194	264	330	370	513
5203	250	797	40	622	160	258	264	330	370	539
5204	250	936	40	622	181	218	264	330	370	549
5251	250	846	40	622	167	258	264	330	370	673
5252	250	936	40	622	181	258	264	330	370	713
5253	250	936	40	622	181	258	264	330	370	703



#### Signal Metering Pumps

Gee House, Holborn Hill  
Birmingham B7 5JR  
Tel: 0121 326 1745  
Fax: 0121 326 1779

Email: [info@signal-pumps.co.uk](mailto:info@signal-pumps.co.uk)  
Web: [www.signal-pumps.co.uk](http://www.signal-pumps.co.uk)

Please consult us for further information.

A division of GEE & Co