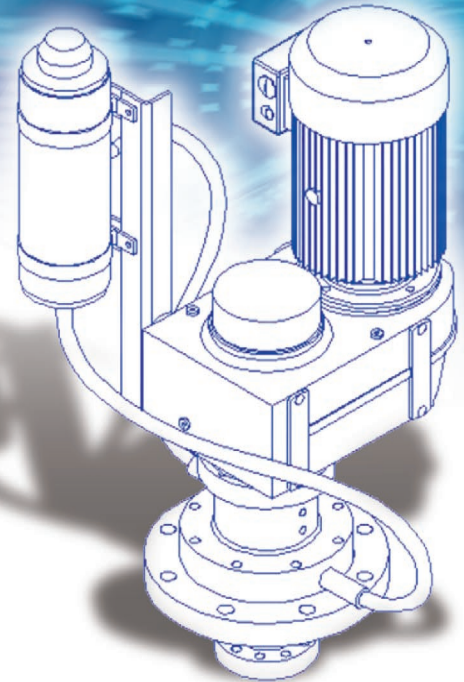


## SIGNAL S600 VT SERIES MIXERS

by Milton Roy

# TYPE VTE-VTL

- Closed tanks from 3 to 100 m<sup>3</sup>
- Sealing system
- Pressure from -1 to 0.5 barg
- Temperature up to 120°C



### General characteristics

- Parallel shaft reducer
- Specific radial bearing
- ISO Flange for connection to the tank
- Adjustable position of impellers on lower shaft
- Rated power from 0,5 to 7,5 Kw

### Capacities

- From 3 to 100 m<sup>3</sup> approximately

### Operating conditions

- Pressure from vacuum to atm. Pressure
- Temperature up to 120°C

### Main applications

- Fine chemical
- Formulation of end products
- Homogenization
- Dissolution
- Holding in suspension
- Storage

### Construction materials

- Stainless steel 316 L
- Painting PU : RAL 1018 (other materials, please consult us)

### Seal devices

- VTE : single mechanical seal with lubricating PVC Vessel
- VTL : single mechanical seal with lubricating SS Vessel

### Electric characteristics

- 230/400 V three-phase
- 50 Hz
- IP 55 (other voltage and frequency, please consult us)

### Options (depending on mixer type)

- Special motors
- Drive ADF, ATEX
- Variable speed drive
- Second impeller

### A robust construction

- Allowing a reduced maintenance
- Rotation during filling and draining allowed

### Operational limits

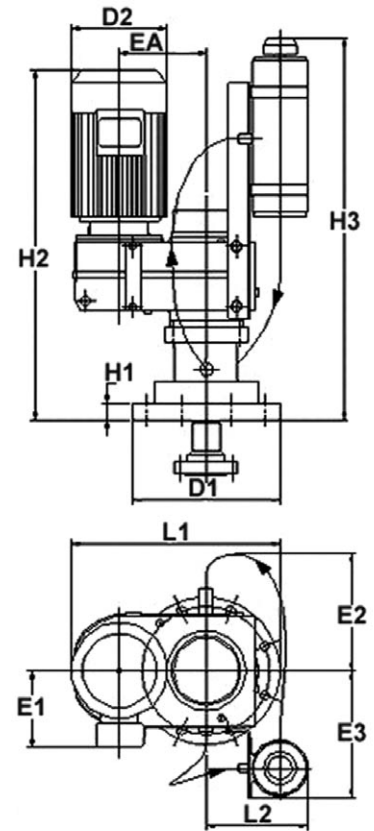
- Not recommended for gas dispersion

# SIGNAL S600 VT SERIES MIXERS by Milton Roy

Closed tanks from 3 to 100 m<sup>3</sup> – Sealing system – Pressure from -1 to 0.5 barg – Temperature up to 120°C

## VTE-VTL SPECIFICATIONS (MM), (KG)

Type	PN10	H2	H1	L1	E1	D2	Ea	E2	E3	Weight
2061	150	600	30	334	127	158	122	290	310	90
2062	150	643	30	353	150	176	122	290	310	89
2063	150	573	30	334	130	138	122	290	310	88
2081	150	643	30	353	150	176	122	290	310	98
2082	150	600	30	344	127	158	122	290	310	98
2083	150	643	30	353	150	176	122	290	310	97
2084	150	600	30	344	127	158	122	290	310	99
3101	150	664	40	428	150	176	178	290	350	158
3102	150	709	40	428	160	194	178	290	350	163
3103	150	709	40	428	160	194	178	290	350	167
3104	150	664	40	428	150	176	178	290	350	166
3121	150	709	40	428	160	194	178	290	350	188
3122	150	664	40	428	150	176	178	290	350	190
3123	150	709	40	428	160	194	178	290	350	189
3124	150	709	40	428	160	194	178	290	350	187
4141	200	755	40	524	160	176	220	320	390	286
4142	200	712	40	524	150	194	220	330	390	286
4143	200	755	40	524	160	218	220	340	390	283
4144	200	803	40	524	167	194	220	350	390	286
4161	200	755	40	524	160	194	220	360	390	322
4162	200	755	40	524	160	258	220	370	390	317
4163	200	894	40	524	181	218	220	380	390	319
4164	200	803	40	524	167	218	220	390	390	342
5201	250	846	40	622	167	258	264	400	410	510
5202	250	936	40	622	181	194	264	410	410	503
5203	250	797	40	622	160	258	264	420	410	529
5204	250	936	40	622	181	218	264	430	410	539
5251	250	846	40	622	167	258	264	440	410	663
5252	250	936	40	622	181	258	264	450	410	703
5253	250	936	40	622	181	258	264	460	410	693



### Signal Metering Pumps

Gee House, Holborn Hill

Birmingham B7 5JR

Tel: 0121 326 1745

Fax: 0121 326 1779

Email: [info@signal-pumps.co.uk](mailto:info@signal-pumps.co.uk)

Web: [www.signal-pumps.co.uk](http://www.signal-pumps.co.uk)

Please consult us for further information.

A division of GEE & Co