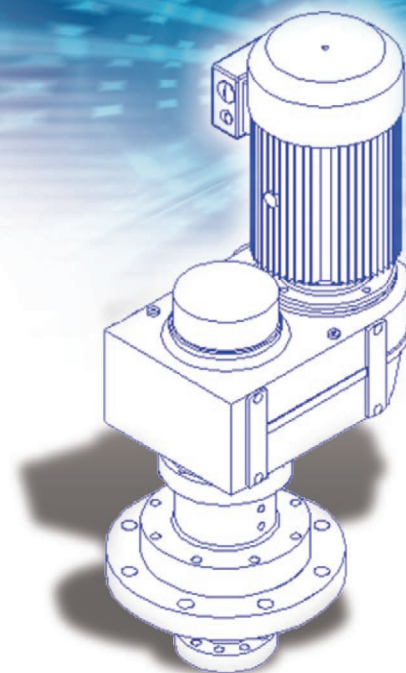


SIGNAL S600 VT SERIES MIXERS

by Milton Roy

TYPE VTD-VTF

- Closed tanks from 3 to 100 m³
- Sealing system
- Pressure from -1 to 0.5 barg
- Temperature (VTD) up to 80°C
- Temperature (VTF) up to 120°C



General characteristics

- Parallel shaft reducer
- Specific radial bearing
- ISO Flange for connection to the tank
- Adjustable position of impellers on lower shaft
- Rated power from 0,55 to 7,5 kW

Capacities

- From 3 to 100 m³ approximately

Operating conditions

- Pressure from -1 to 0,5 barg
- Temperature (VTD) up to 80°C
- Temperature (VTF) up to 120°C

Main applications

- Fine chemicals
- Formulation of end products
- Homogenisations
- Dissolution
- Holding in suspension
- Storage

Construction materials

- Stainless steel 316 L
- Painting PU : RAL 1018 on the drive system
(other materials, please consult us)

Seal devices

- VTB : lip seal
- VTD : single mechanical seal with static quench
- VTF : dry single mechanical seal

Electric characteristics

- 230/400 V three phase
- 50 Hz
- IP 55
(other voltage and frequency, please consult us)

Options (depending on mixer type)

- Special motors
- Drive ADF, ATEX
- Variable speed drive
- Second impeller

A robust construction

- Allowing a reduced maintenance
- Rotation during filling and draining allowed

Operational limits

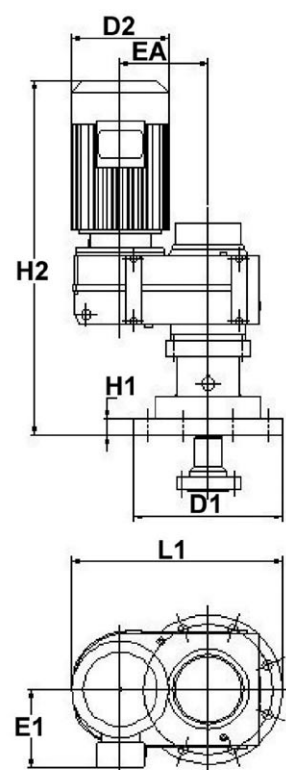
- Not recommended for gas dispersion

SIGNAL S600 VT SERIES MIXERS by Milton Roy

Closed tanks from 3 to 100 m³ – Sealing system – Pressure from -1 to 0.5 barg – Temperature up to (VTD) 80°C (VTF) 120°C

VTD-VTF SPECIFICATIONS (MM), (KG)

Type	PN10	H2	H1	L1	E1	D2	Ea	Weight
2061	150	600	30	334	127	158	122	81
2062	150	643	30	353	150	176	122	83
2063	150	573	30	334	130	138	122	82
2081	150	643	30	353	150	176	122	90
2082	150	600	30	344	127	158	122	90
2083	150	643	30	353	150	176	122	89
2084	150	600	30	344	127	158	122	90
3101	150	664	40	428	150	176	178	156
3102	150	709	40	428	160	194	178	155
3103	150	709	40	428	160	194	178	141
3104	150	664	40	428	150	176	178	140
3121	150	709	40	428	160	194	178	182
3122	150	664	40	428	150	176	178	185
3123	150	709	40	428	160	194	178	183
3124	150	709	40	428	160	194	178	181
4141	200	755	40	524	160	176	220	284
4142	200	712	40	524	150	194	220	284
4143	200	755	40	524	160	218	220	281
4144	200	803	40	524	167	194	220	285
c4161	200	755	40	524	160	194	220	320
4162	200	755	40	524	160	258	220	315
4163	200	894	40	524	181	218	220	318
4164	200	803	40	524	167	218	220	364
5201	250	846	40	622	167	258	264	511
5202	250	936	40	622	181	194	264	505
5203	250	797	40	622	160	258	264	535
5204	250	936	40	622	181	218	264	550
5251	250	846	40	622	167	258	264	666
5252	250	936	40	622	181	258	264	711
5253	250	936	40	622	181	258	264	701



Signal Metering Pumps

Gee House, Holborn Hill
Birmingham B7 5JR
Tel: 0121 326 1745
Fax: 0121 326 1779

Email: info@signal-pumps.co.uk
Web: www.signal-pumps.co.uk

Please consult us for further information.

A division of GEE & Co