

SIGNAL S600 VR SERIES MIXERS

by Milton Roy

TYPE VRP

- Open tanks from 0,5 to 20 m³
- Atmospheric pressure
- Temperature up to 90°C

General characteristics

- Agitator pulled by a gear drive motor
- Lower shaft provided with a 4 pitched blade turbine
- Rated power from 0,25 to 1,5 Kw
- Appropriate for tanks of low volume

Capacities

- From 0.5 to 20 m³ approximately

Operating conditions

- Atmospheric Pressure
- Temperature up to 90°C

Main applications

- Homogenization
- Dissolution
- Preparation of reagents
- Neutralization

Construction materials

- Stainless steel 316L
- Painting PU : RAL 1018 on the driving system
(please consult us for any other material)

Electric characteristics

- 230/400 V three-phase
- 50Hz
- IP 55
(please consult us for any other voltage or frequency)

Options (depending on mixer type)

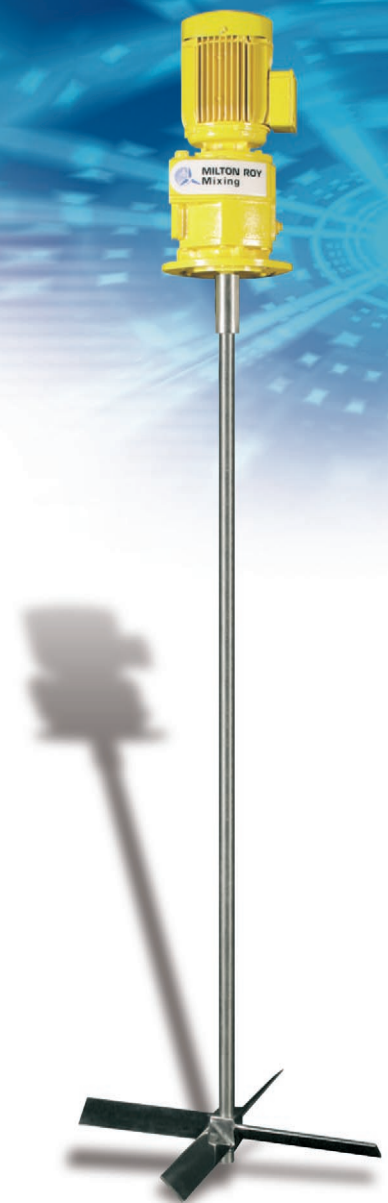
- Special motors
- Particular coating
- Second impeller
- Lip seal device

A robust construction

- Allowing a reduced maintenance
- Rotation during filling and draining allowed.

Operational limits

- Maximum viscosity of 100mPas
- Density < = 1,1
(please consult us for any other viscosity or density)



SIGNAL S600 VR SERIES MIXERS by Milton Roy

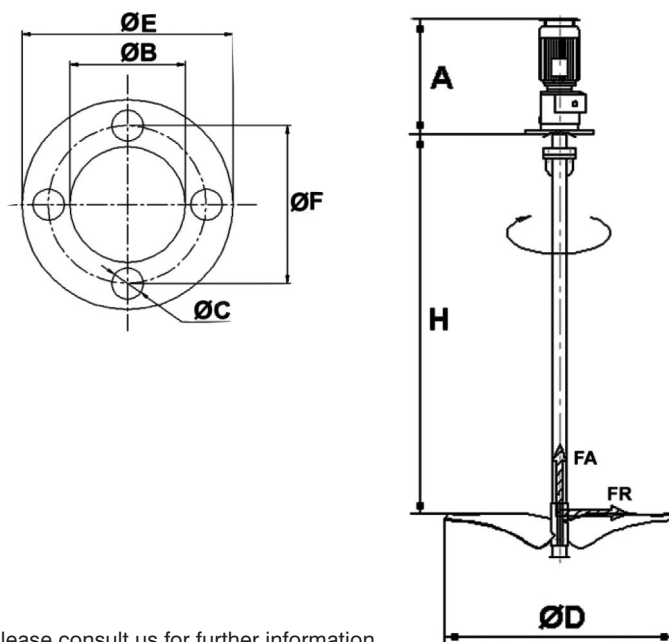
Open tanks from 0.5 to 20 m³ – Atmospheric pressure – Temperature up to 90°C

TYPE VRP SPECIFICATIONS

Type	P kW	N tr/min	H mm	D mm	Q m ³ /h	Weight kg	A mm	B mm	C mm	E mm	F mm
0021	0.25	103	1300	200	46	15	355	110	9	160	130
0031	0.37	126	1300	350	174	25	425	130	11	200	165
1051	0.55	100	1500	500	281	28	425	130	11	200	165
0051	0.37	97	2500	500	545	51	370	130	11	200	165
2061	0.75	99	2500	600	955	56	398	130	11	200	165
3051	1.1	137	1750	550	750	48	525	180	13	250	215
4071	1.5	102	1900	700	1349	125	555	230	14	300	265
4072	1.5	96	2500	700	1469	87	470	180	13	250	215
4081	1.5	73	2500	800	1683	88	470	180	13	250	215
5081	2.2	100	2000	800	1728	125	645	250	18	350	300
6081	3	96	2000	800	2201	89	516	180	13	250	215

Remarques:

- 0021-0031, 1051, 3051, 5081 models:
one piece turbine and muff coupling.
- 4071 model:
one piece turbine, flange coupling.
- Other type:
4 removable blades bolted on welded parts on shaft.



Please consult us for further information.



Signal Metering Pumps

Gee House, Holborn Hill

Birmingham B7 5JR

Tel: 0121 326 1745

Fax: 0121 326 1779

Email: info@signal-pumps.co.uk

Web: www.signal-pumps.co.uk

A division of GEE & Co