

# Signal S500 SERIES

[www.signal-pumps.co.uk](http://www.signal-pumps.co.uk)

## S500 PM-PH, MV, CL, CD Electromagnetic metering pump / controller

An economic electromagnetic metering pump, with the ability to vary dose rate automatically proportional to an incoming process variable, with the option of either pH, Cl<sub>2</sub>, Redox or Conductivity probe inputs.

Suitable for a wide range of proportional chemical dosing applications. Features include Simple functionality, and an LCD display of measured value. Designed for wall or backboard mounting.



- No programming required: it's sufficient just to activate the functions
- Proportional dosing to the set-point
- Constant flow rate mode
- Level probe input
- Plastic box IP65 protection degree
- pH measure and control:
  - Measure range : 0 - 14,00 pH (resolution 0,01 pH)
  - BNC input from pH probe
- Redox potential (ORP) measure and control:
  - Measure range: 0 - 1000 mV (resolution 1mV)
  - BNC input from Redox probe
- Free Chlorine concentration measure and control:
  - Measure range: 0- 10 ppm (resolution 0,01ppm)
  - Input probe SCLO1-SCLO2 on terminal
- Conductivity measure and control:
  - Measure range: 0 – 10.00  $\mu$ S via probe SCDK1
  - Other ranges available: 1000 $\mu$ S, 100  $\mu$ S, 10  $\mu$ S, via probe SCD K5

**Signal**  
METERING PUMPS

A division of GEE & Co

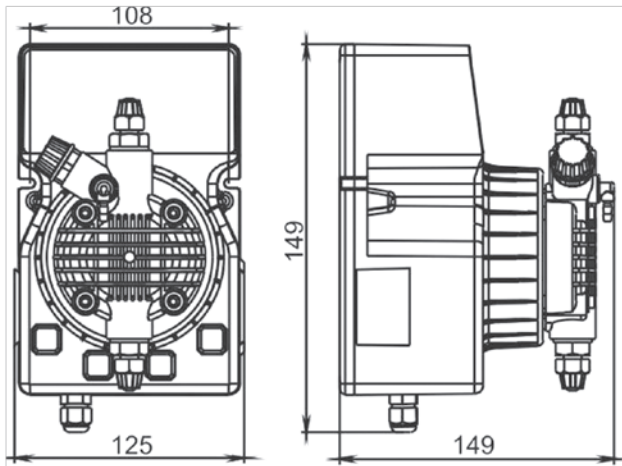
TECHNICAL DATA

**S500 SERIES - PM-PH, MV, CL, CD Electromagnetic metering pump / controller**

Models	PM 02-10	PM 05-07	PM 08-10	PM 20-03
Flow rate max (l/h)	2	5	8	20
Pressure max (bar)	10	7	10	3
Frequency max (imp/min)	100	100	120	120
ml/pulse	0,33	0,83	1,11	2,60
Max suction high (m)	2.0	2.0	2.0	2.0
Standard power supply (*)	230 V - 50/60 Hz	230 V - 50/60 Hz	230 V - 50/60 Hz	230 V - 50/60 Hz
Weight (kg)	2,3	2,3	2,9	2,9

(\*Power Supply: Standard 230 Vac 50/60 Hz. On request - 110 Vac, 24 Vac, 24 Vdc, 12V.)

**Dimensions**



**Materials:**

**Pump head:** polypropylene  
(on request: PVC, SS316, PTFE, PVDF)

**Diaphragm:** PTFE

**Connections:** polypropylene

**Foot filter:** polypropylene

**Injection valve:** polypropylene

**Suction tube:** PVC crystal

**Delivery tube:** polyethylene

**Lip valves (standard):** FPM  
(on request: silicon, EPDM, NBR)

**Ball valves (on request):** Pyrex,  
Kalretz, SS316

**Seat:** FPM (on request: silicon, EPDM,  
PTFE, NBR)



Signal Metering Pumps, Gee House, Holborn Hill, Birmingham B7 5JR  
Tel: 0121 326 1700 Fax: 0121 326 1779 Email: info@signal-pumps.co.uk Web: www.signal-pumps.co.uk

A division of GEE & Co