

Signal S500 SERIES

www.signal-pumps.co.uk

S500 PM-MF Proportional metering pump

An economic electromagnetic metering pump, with the ability to vary dose rate automatically proportional to an incoming signal, eg. Flow.

Suitable for a wide range of proportional chemical dosing applications. Compatible with analogue and digital inputs. Features include simple functionality and an LCD display.



- No programming required: it's sufficient to activate the function
- Proportional to a digital signal (water-meter pulse-sender):
 - ppm mode – selected ppm quantity the pump automatically adjusts the dosage
 - 1:n mode (external pulse multiplication)
 - n:1 mode (external pulse division)
- Proportional or analogue signal 4-20 or 20-4 mA
- Constant flow rate mode
- Automatic regulation frequency dosing
- Automatic managing excessive external pulses (If the pump receives pulses during dosing, the microprocessor adjust the frequency to adjust the dosage)
- Level probe input
- Plastic box IP65 protection degree

Signal
METERING PUMPS

A division of GEE & Co

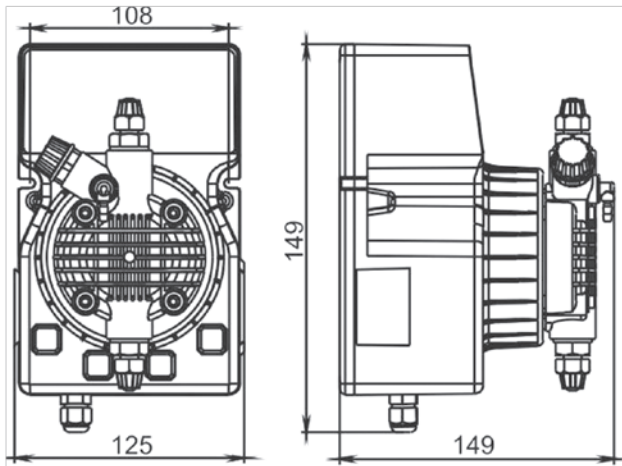
TECHNICAL DATA

S500 SERIES - PM-MF Proportional metering pump

Models	PM 02-10	PM 05-07	PM 08-10	PM 20-03
Flow rate max (l/h)	2	5	8	20
Pressure max (bar)	10	7	10	3
Frequency max (imp/min)	100	100	120	120
ml/pulse	0,33	0,83	1,11	2,60
Max suction high (m)	2.0	2.0	2.0	2.0
Standard power supply (*)	230 V - 50/60 Hz	230 V - 50/60 Hz	230 V - 50/60 Hz	230 V - 50/60 Hz
Weight (kg)	2,3	2,3	2,9	2,9

(*Power Supply: Standard 230 Vac 50/60 Hz. On request - 110 Vac, 24 Vac, 24 Vdc, 12V.)

Dimensions



Materials:

Pump head: polypropylene
(on request: PVC, SS316, PTFE, PVDF)

Diaphragm: PTFE

Connections: polypropylene

Foot filter: polypropylene

Injection valve: polypropylene

Suction tube: PVC crystal

Delivery tube: polyethylene

Lip valves (standard): FPM
(on request: silicon, EPDM, NBR)

Ball valves (on request): Pyrex, Kalretz, SS316

Seat: FPM (on request: silicon, EPDM, PTFE, NBR)



Signal Metering Pumps, Gee House, Holborn Hill, Birmingham B7 5JR
Tel: 0121 326 1700 Fax: 0121 326 1779 Email: info@signal-pumps.co.uk Web: www.signal-pumps.co.uk

A division of GEE & Co